

SPARE PARTS CATALOGUE
ACCESSORIES AND TOOLS: HUSQVARNA POLE SAW
ATTACHMENT PAX1100

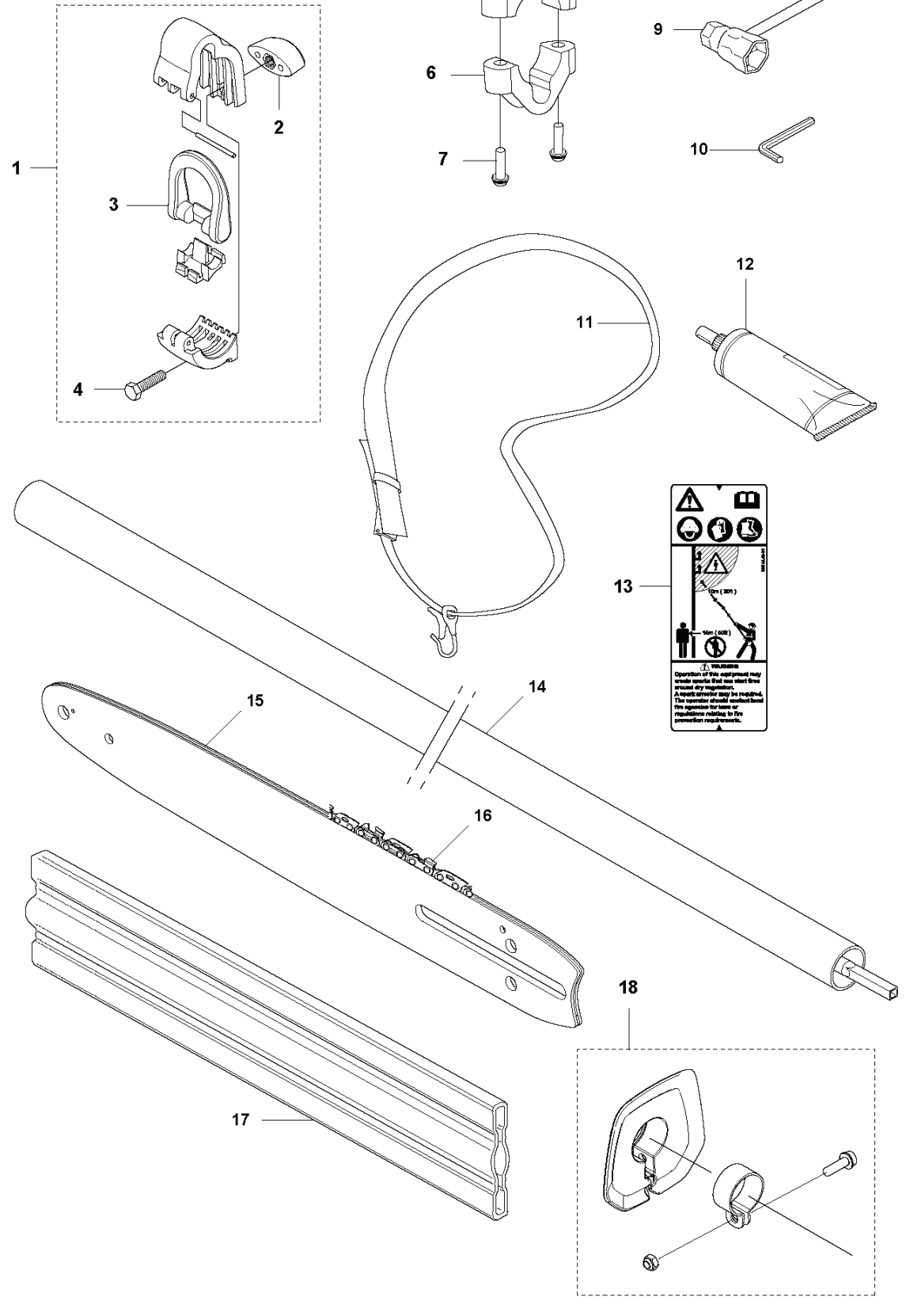
Spare Parts List

SPARE PARTS LIST

ACCESSORIES AND TOOLS

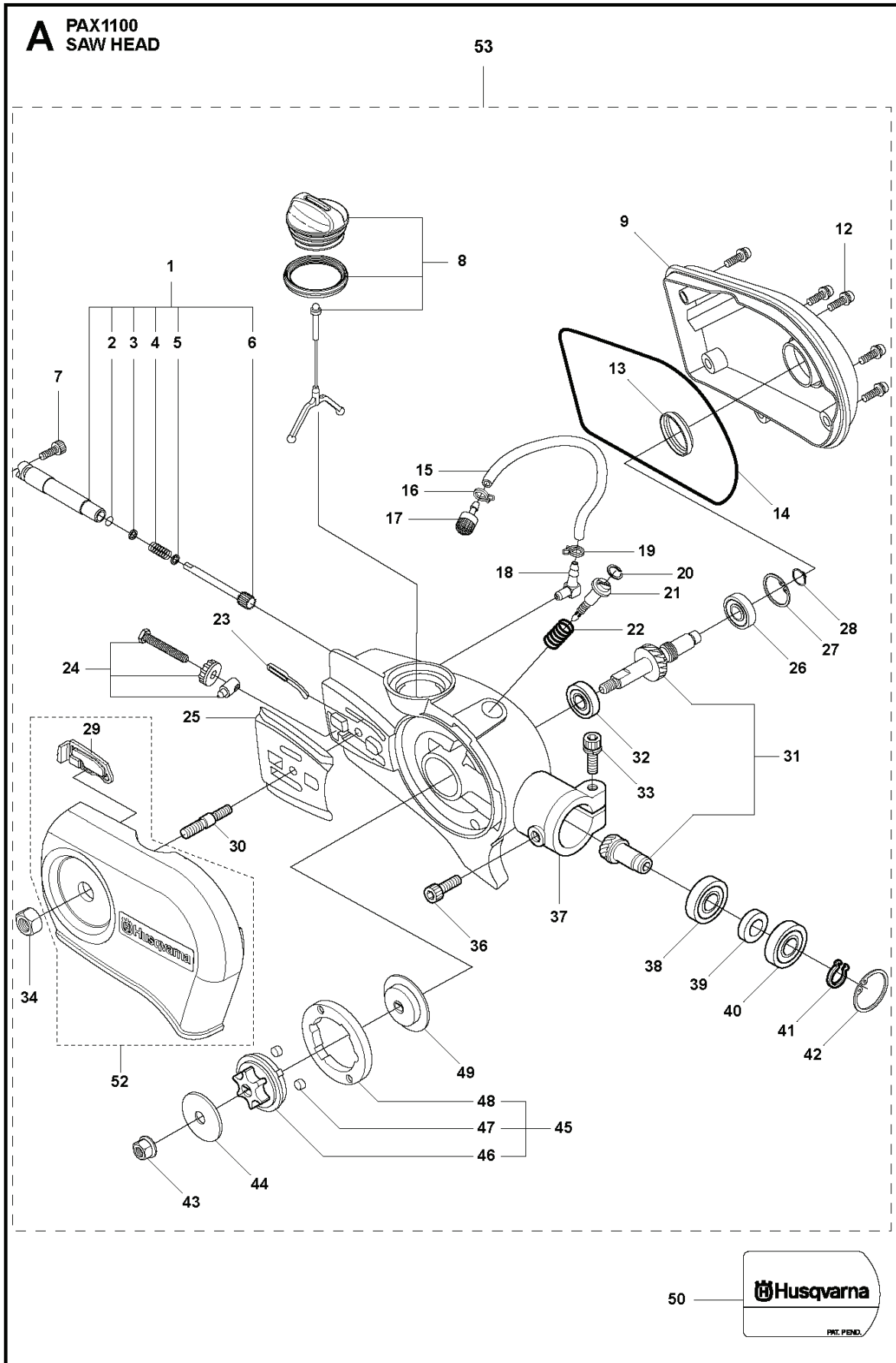
HUSQVARNA POLE SAW ATTACHMENT
PAX1100

B PAX1100 ATTACHMENT



ACCESSORIES AND TOOLS

| PXM_REF | PXM_PARTNO | DESCRIPTION | PXM_REMARK | QTY. |
|---------|------------|--------------------------|------------|------|
| 1 | 537353601 | OJAL | | 1 |
| 2 | 537130402 | BOTÓN | | 1 |
| 3 | 537350101 | OJAL | | 6 |
| 4 | 725233151 | TORNILLO | | 1 |
| 5 | 545113301 | MORDAZA | | 6 |
| 6 | 545056601 | MORDAZA | | 1 |
| 7 | 530015940 | TORNILLO | | 1 |
| 9 | 501691701 | LLAVE COMBINADA | | 1 |
| 10 | 503558601 | LLAVE | | 7 |
| 11 | 537216201 | ARNÉS | | 1 |
| 12 | 579064901 | GRASA | | 1 |
| 13 | 585944001 | ADHESIVO | | 1 |
| 14 | 587972104 | TUBE ASSY | | 1 |
| 15 | 501959245 | BARRA | 12" | 1 |
| 15 | 501959240 | BARRA | 10" | 1 |
| 16 | 576936545 | SAW CHAIN | 12" | 1 |
| 16 | 576936540 | SAW CHAIN | 10" | 1 |
| 17 | 537129901 | BAR COVER | | 1 |
| 18 | 579488601 | CONJUNTO PROTECCIÓN MANO | | 1 |



ACCESSORIES AND TOOLS

| PXM_REF | PXM_PARTNO | DESCRIPTION | PXM_REMARK | QTY. |
|---------|------------|----------------------------|------------|------------|
| 1 | 537299201 | BOMBA DE ACEITE COMPLETA | | 1 53 |
| 2 | 740420300 | ANILLO TORICA | | 1 53 |
| 3 | 503230016 | ARANDELA | | 1 53 |
| 4 | 503184901 | MUELLE | | 1 53 |
| 5 | 503230016 | ARANDELA | | 1 53 |
| 6 | 503808302 | PISTÓN DE BOMBA | | 1 53 |
| 7 | 725532755 | TORNILLO IHSCM | | 1 53 |
| 8 | 537281502 | TAPÓN DE DEPÓSITO COMPLETO | | 1 53 |
| 9 | 593620401 | CAP ASSY | | 1 53 |
| 12 | 725532955 | TORNILLO IHSCM | | 5 53 |
| 13 | 537330101 | JUNTA | | 1 53 |
| 14 | 537291001 | ANILLO TORICA | | 1 53 |
| 15 | 537291101 | MANGUERA | | 1 53 |
| 16 | 537371501 | ABRAZADERA DE MANGUERA | | 1 53 |
| 17 | 504710003 | SONDA DE ACEITE | | 1 53 |
| 18 | 504340004 | RACOR | | 1 53 |
| 19 | 537371501 | ABRAZADERA DE MANGUERA | | 1 53 |
| 20 | 537290901 | RESORTE CIRCULAR | | 1 53 |
| 21 | 537056801 | TORNILLO DE AJUSTE | | 1 53 |
| 22 | 503978201 | MUELLE | | 1 53 |
| 23 | 537331701 | CONDUCTO DE ACEITE | | 1 53 |
| 24 | 537228201 | SENSOR DE CADENA | | 1 53 |
| 25 | 537194201 | PLACA GUÍA DE CADENA | | 1 53 |
| 26 | 738210004 | RODAMIENTO DE BOLAS | | 1 53 |
| 27 | 735312710 | RESORTE CIRCULAR | | 1 53 |
| 28 | 735311200 | RESORTE CIRCULAR | | 1 53 |
| 29 | 575553701 | PLACA DE CIERRE | | 1 52 53 |
| 30 | 576293001 | PERNO DE ESPADA | M7-M8 | 1 53 |
| 31 | 537299001 | JUEGO DE ENGRANAJES | | 1 53 |
| 32 | 738219904 | RODAMIENTO DE BOLAS | | 1 53 |
| 33 | 725533355 | TORNILLO IHSCM | | 1 53 |
| 34 | 731231801 | TUERCA HEXAGONAL | | 1 53 |
| 36 | 725532755 | TORNILLO IHSCM | | 1 53 |
| 37 | 537227401 | CARCASA | | 1 53 |
| 38 | 738219904 | RODAMIENTO DE BOLAS | | 1 53 |
| 39 | 537247701 | ARANDELA SEPARADORA | | 1 53 |
| 40 | 738219904 | RODAMIENTO DE BOLAS | | 1 53 |
| 41 | 735311100 | RESORTE CIRCULAR | | 1 53 |
| 42 | 735312510 | RESORTE CIRCULAR | | 1 53 |
| 43 | 731711651 | HEXAGON NUT FLANGE | | 1 53 |
| 44 | 503230068 | ARANDELA | | 1 53 |
| 45 | 537271801 | VOLANTE | | 1 53 |
| 46 | 537271501 | CUBO | | 1 53 |
| 47 | 537271701 | BUSHING | | 2 53 |
| 48 | 537271401 | ANILLO | | 1 53 |
| 49 | 537271601 | TAPACUBOS | | 1 53 |
| 50 | 537230001 | ETIQUETA | | 1 |
| 52 | 575541801 | PROTECCIÓN DE CADENA | | 1 53 |
| 53 | 537247103 | CUTTING HEAD ASSY | | 1 |