

SPARE PARTS CATALOGUE
CHAIN SAWS: HUSQVARNA T525

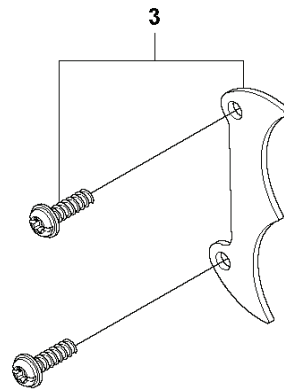
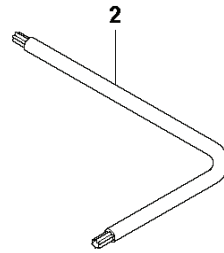
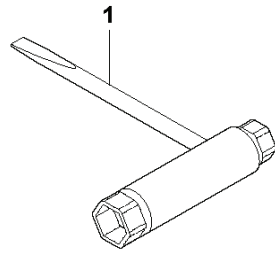
Spare Parts List

SPARE PARTS LIST

CHAIN SAWS

HUSQVARNA T525

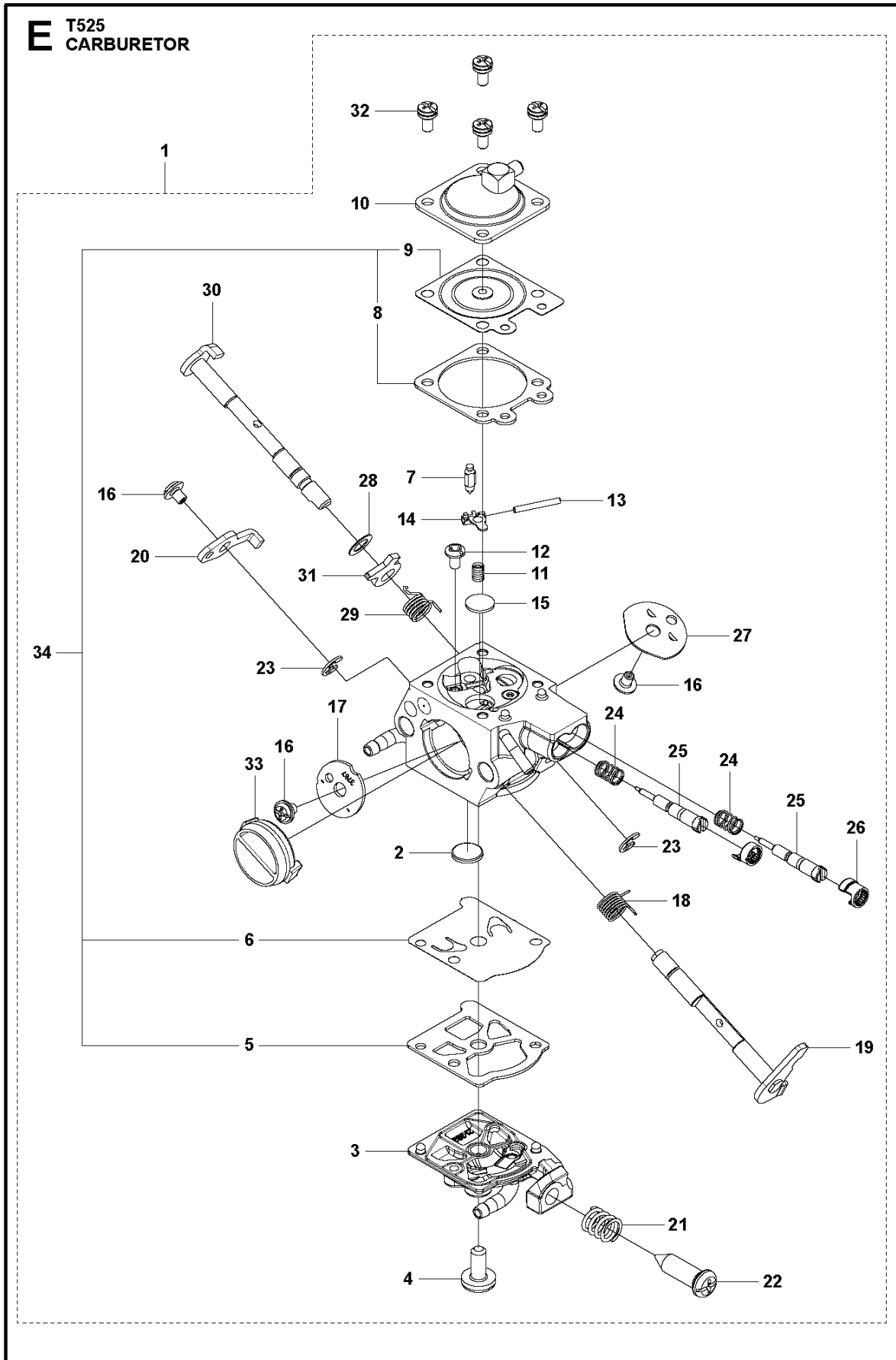
L T525
ACCESSORIES



CHAIN SAWS

PXM_REF	PXM_PARTNO	DESCRIPTION	PXM_REMARK	QTY.
1	587243501	LLAVE		1
2	575880701	LLAVE		1
3	590487801	APOYO DE CORTEZA		1

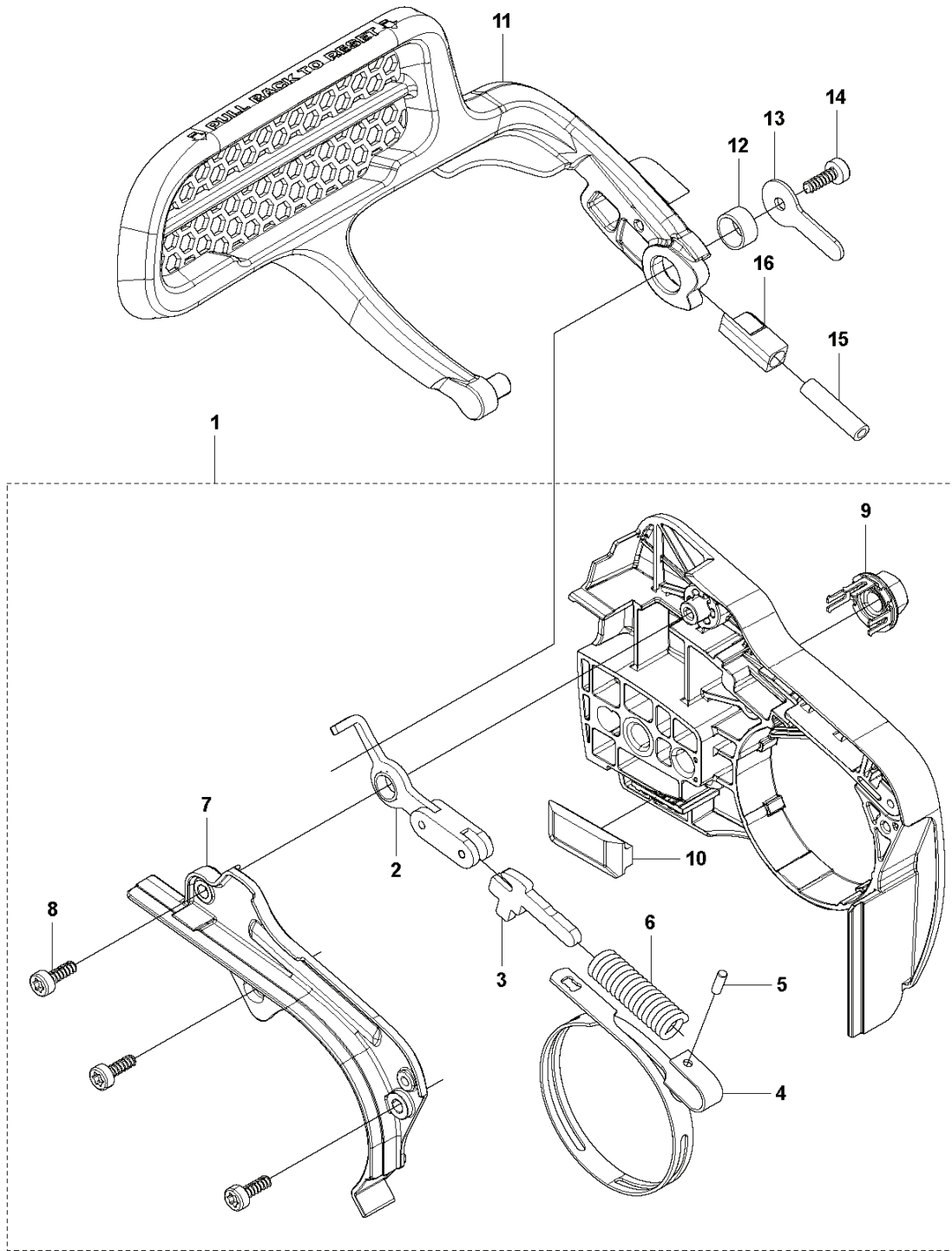
E T525
CARBURETOR



CHAIN SAWS

PXM_REF	PXM_PARTNO	DESCRIPTION	PXM_REMARK	QTY.
1	587870501	CARBURADOR		1
2	520957001	PANTALLA		1
3	590219101	COVER ASSY		1
4	520976301	TORNILLO		1
5	520954801	JUNTA		1 1.34
6	596968101	BOMBA DE MEMBRANA		1 1.34
7	521085401	VALVE INLET		1
8	516972101	JUNTA		1 1.34
9	505306801	MEMBRANA		1 1.34
10	522646001	CUBIERTA		1
11	511967601	MUELLE		1
12	520977301	TORNILLO		1
13	520977401	CLAVIJA		1
14	520977201	PALANCA		1
15	516342901	TAPÓN		1
16	520759801	TORNILLO		3
17	590219301	VÁLVULA		1
18	590219401	MUELLE		1
19	590219501	CIGÜEÑAL		1
20	590219701	PALANCA		1
21	513593201	MUELLE		1
22	577815701	TORNILLO		1
23	505056501	ANILLO		2
24	578912801	MUELLE		2
25	579190901	AGUJA DE ALTAS REVOLUCIONES		2
26	578913001	SOMBRERETE		2
27	521790001	VÁLVULA		1
28	516524201	ARANDELA		1
29	590219801	MUELLE		1
30	590219901	CIGÜEÑAL		1
31	521581101	PALANCA		1
32	520978801	SCREW ASSY		4
33	590237301	ANILLO		1
34	585597401	JUEGO DE JUNTAS		1

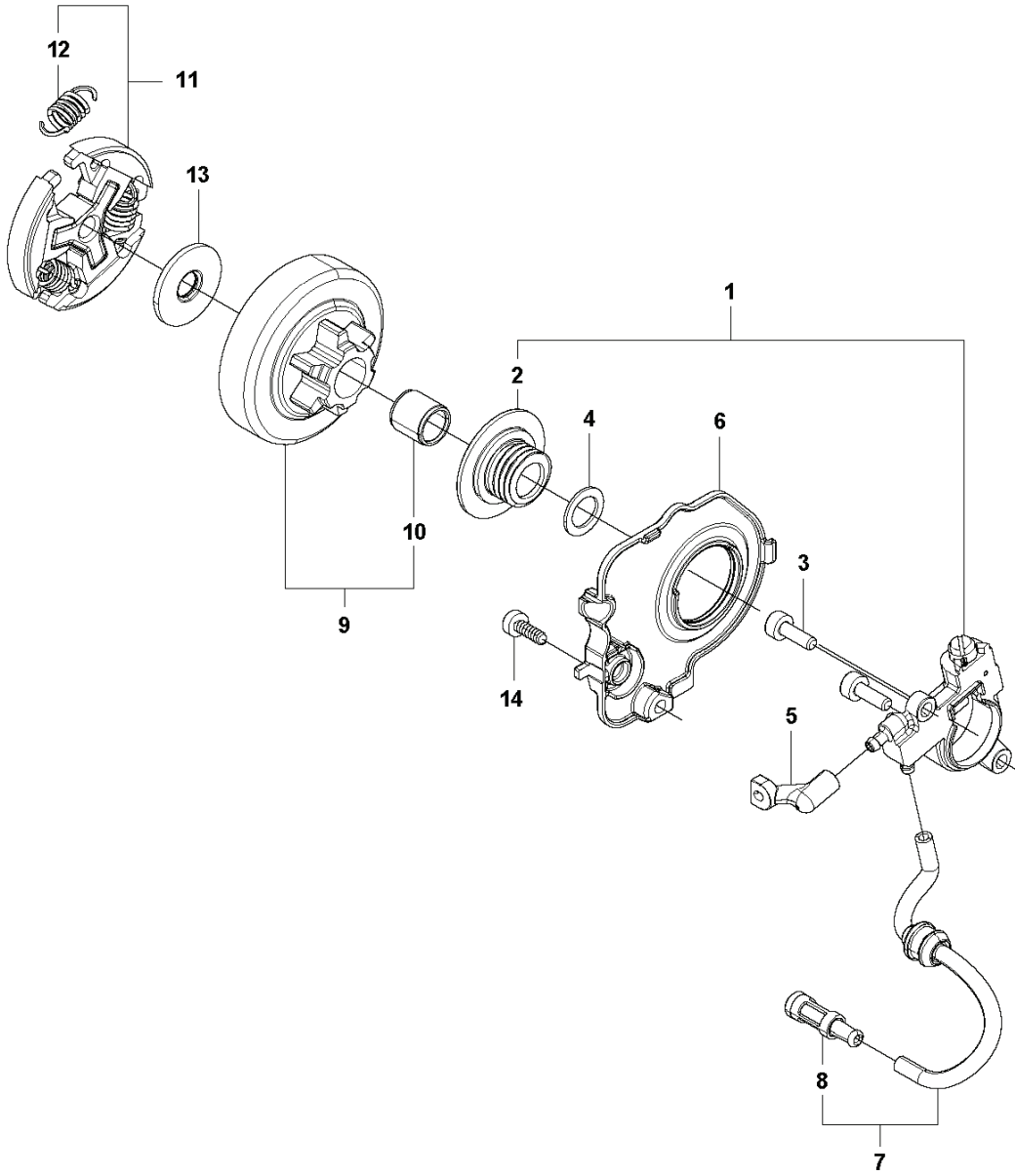
J T525
CHAIN BRAKE & CLUTCH COVER



CHAIN SAWS

PXM_REF	PXM_PARTNO	DESCRIPTION	PXM_REMARK	QTY.
1	587876601	FRENO DE CADENA COMPLETO		1
2	587876901	RÓTULA COMPLETA		1 1
3	516825601	BRAZO		1 1
4	587877301	FUELLE DE FRENO		1 1
5	521075401	ROLLO		1 1
6	589569901	MUELLE DE FRENO		1 1
7	587877501	TAPA		1 1
8	576984002	TORNILLO		3 1
9	505197301	TUERCA		1 1
10	513619001	GUÍA		1 1
11	587872701	PROTECCIÓN DE MANO		1
12	587872902	ARANDELA SEPARADORA		1
13	587873001	ARANDELA		1
14	576984002	TORNILLO		1
15	576984501	MUELLE		1
16	576984601	FIADOR		1

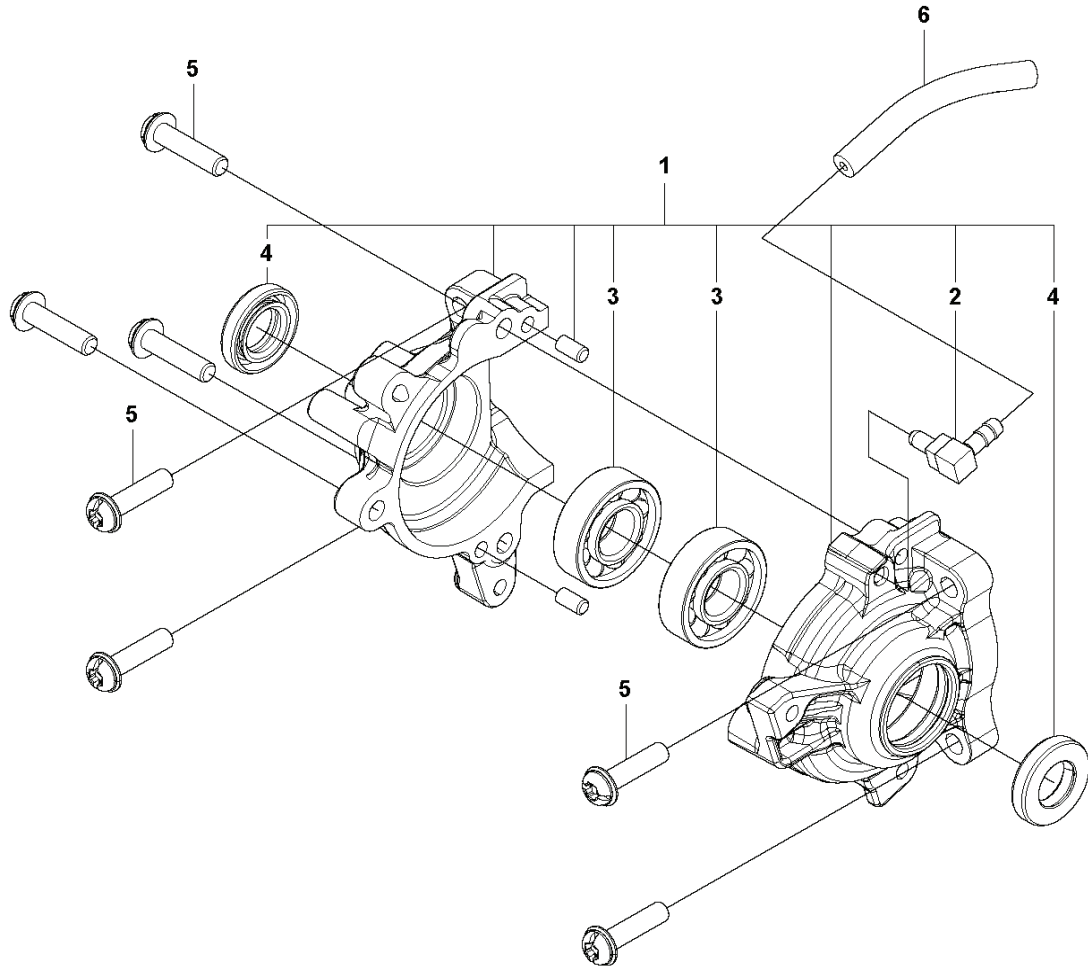
G T525
CLUTCH & OIL PUMP



CHAIN SAWS

PXM_REF	PXM_PARTNO	DESCRIPTION	PXM_REMARK	QTY.
1	587873401	BOMBA DE ACEITE COMPLETA		1
2	593825301	PIÑÓN		1 1
3	521515701	PERNO		2
4	505053301	ARANDELA		1
5	587873801	MANGUERA DE PRESIÓN DE ACEITE		1
6	587873901	CUBIERTA	s/n up to 20182699999	1
6	587873902	CUBIERTA	From s/n 20182700001 and Use together with 587 87 15-05 HOUSING ASSY for s/n up to 20182699999	1
7	587874102	MANGUERA DE ACEITE		1
8	594706201	FILTRO DE ACEITE		1 7
9	501290501	TAMBOR DE EMBRAGUE COMPLETO	3/8 6 tooth	1
9	501290502	TAMBOR DE EMBRAGUE COMPLETO	1/4 8 tooth	1
9	501290503	TAMBOR DE EMBRAGUE COMPLETO	0.325 mimi 7 tooth	1
10	514183301	RODAMIENTO		1 9
11	511044501	EMBRAGUE		1
12	512423501	MUELLE		3 11
13	512423401	PLACA		1
14	576984002	TORNILLO		1

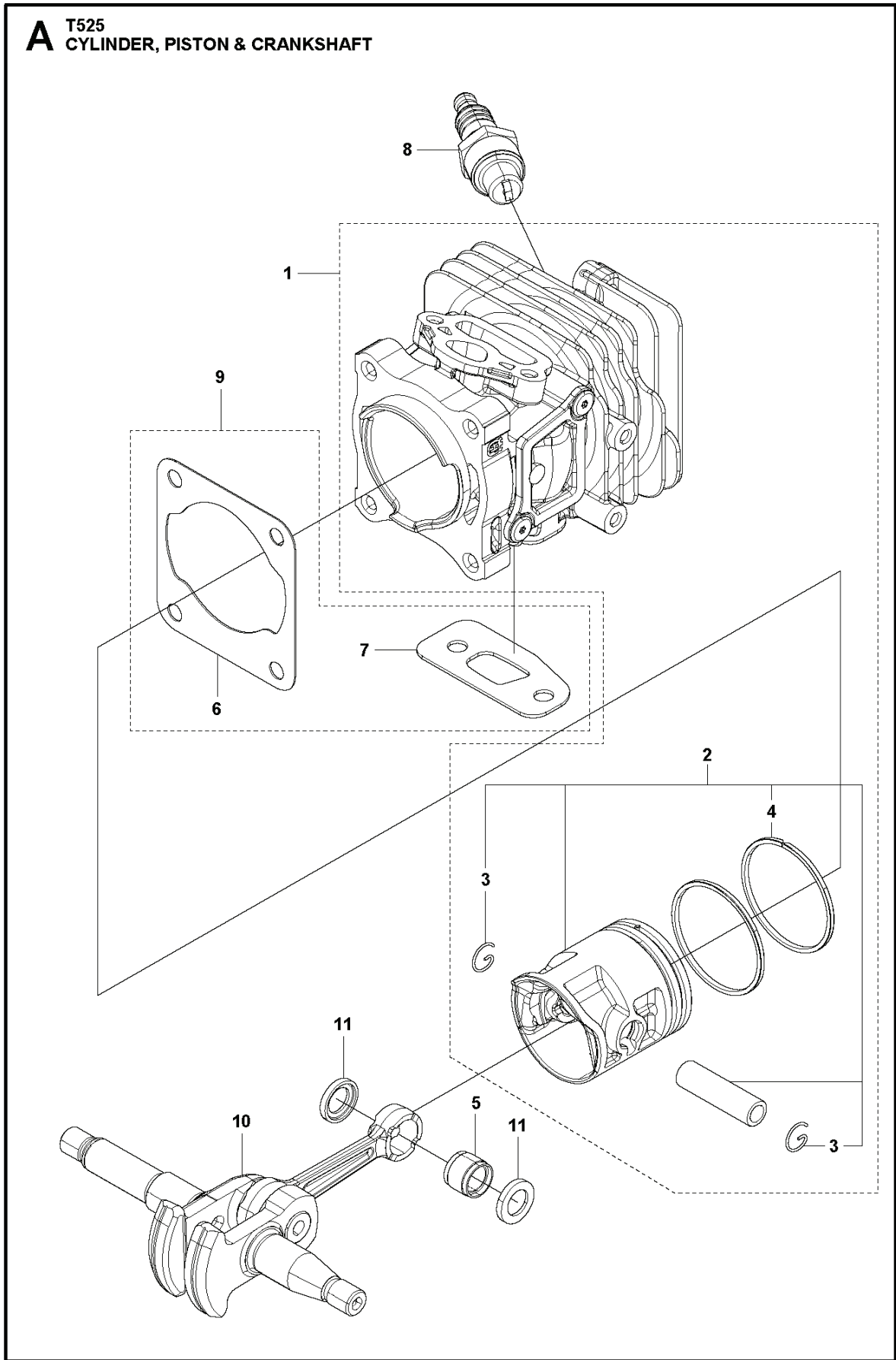
B T525
CRANKCASE



CHAIN SAWS

PXM_REF	PXM_PARTNO	DESCRIPTION	PXM_REMARK	QTY.
1	590153301	CÁRTER COMPLETO		1
2	590508001	JUNTA		1 1
3	587869501	RODAMIENTO DE BOLAS		2 1
4	522639101	SELLO		2 1
5	590266701	TORNILLO		7
6	587868701	MANGUERA DE IMPULSIÓN		1

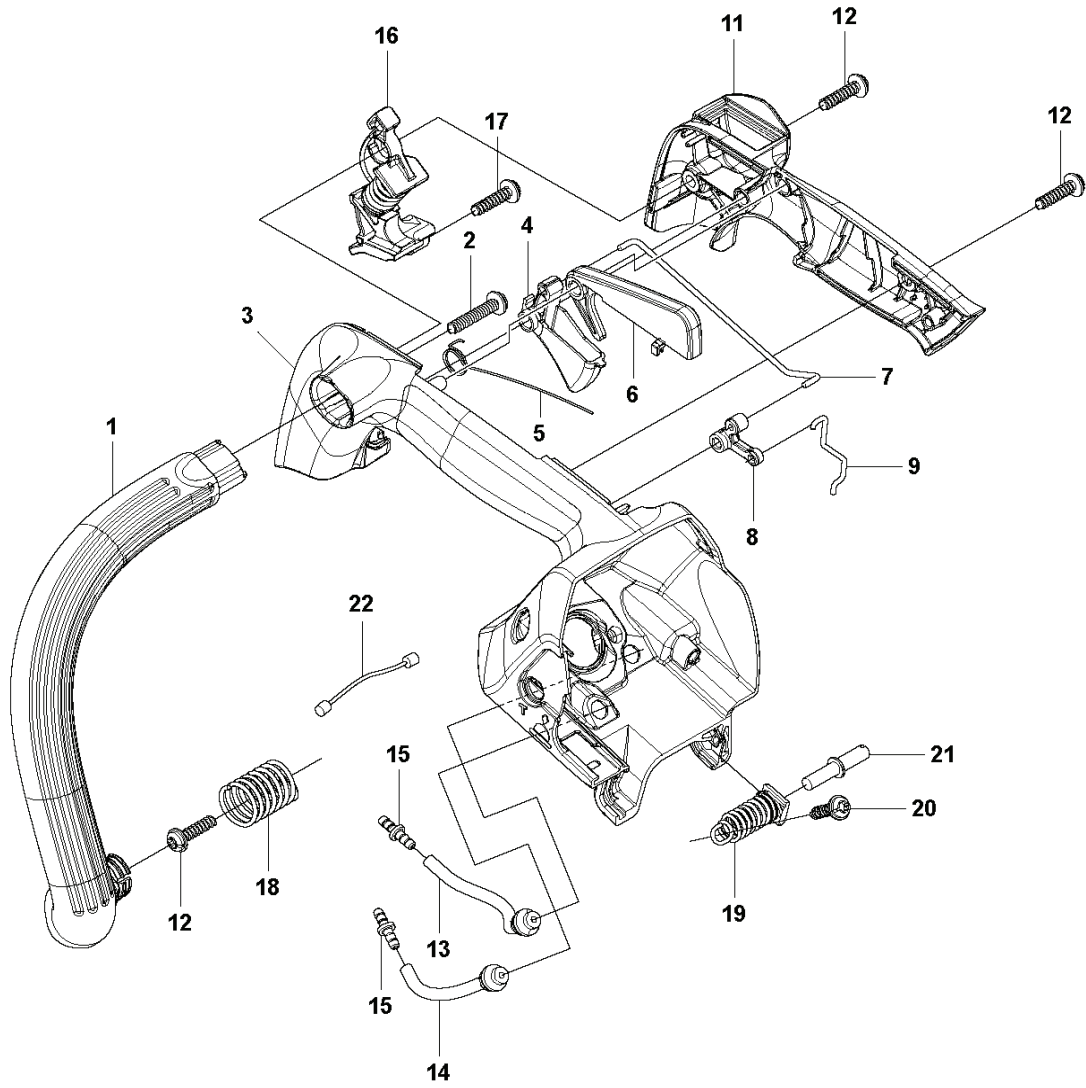
A T525
CYLINDER, PISTON & CRANKSHAFT



CHAIN SAWS

PXM_REF	PXM_PARTNO	DESCRIPTION	PXM_REMARK	QTY.
1	501015801	CILINDRO COMPLETO		1
2	501015902	PISTÓN COMPLETO		1 1
3	737440800	RESORTE CIRCULAR		2 1,2
4	590648501	SEGMENTO DE PISTÓN		2 1,2
5	505040901	RODAMIENTO		1
6	587868001	JUNTA		1 9
7	587870402	JUNTA		1 9
8	503235401	BUJÍA		1
9	590531702	JUNTA		1
10	587869001	CIGÜEÑAL		1
11	505041001	ARANDELA		2

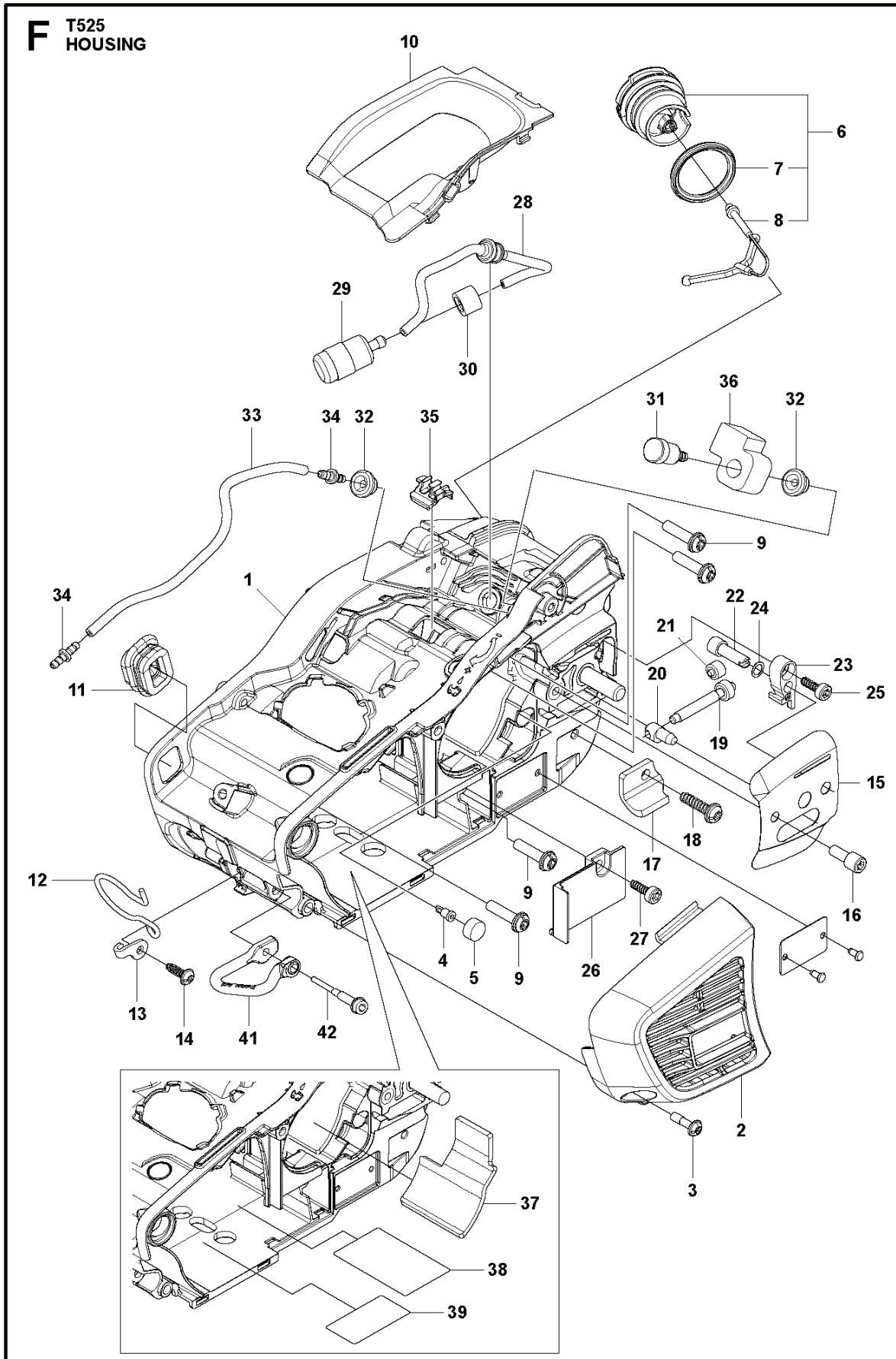
K T525
HANDLE



CHAIN SAWS

PXM_REF	PXM_PARTNO	DESCRIPTION	PXM_REMARK	QTY.
1	587877801	EMPUÑADURA DELANTERA		1
2	512848101	TORNILLO		1
3	587878101	EMPUÑADURA	s/n up to 20202609488 For EU market	1
3	587878103	EMPUÑADURA	For US/CAN. AUS/NZ market. s/n from 20202700810 For EU, JP market	1
4	587878301	CONTROL DE ACELERADOR		1
5	505048001	MUELLE		1
6	587878603	FIADOR DE ACELERADOR		1
7	587878701	VARILLA DE GAS		1
8	587878801	SOPORTE		1
9	587879001	VARILLAS DE ENLACE		1
11	587879301	CUBIERTA	s/n up to 20202609488 For EU market	1
11	587879302	CUBIERTA	For US/CAN. AUS/NZ market. s/n from 20202700810 For EU, JP market	1
12	521518101	TORNILLO		3
13	589204903	MANGUERA DE IMPULSIÓN	For EU, AUS/NZ market	1
13	593186902	OJAL PARA CABLE	For US/CAN market	1
14	589204904	MANGUERA DE IMPULSIÓN		1
15	516950301	ARTICULACIÓN		2
16	501906203	AMORTIGUADOR		1
17	521518001	TORNILLO		1
18	587880601	MUELLE		1
19	588989201	AMORTIGUADOR		1
20	521517901	TORNILLO		1
21	513727801	PERNO		1
22	587880303	CABLE	s/n from 20202700810	1

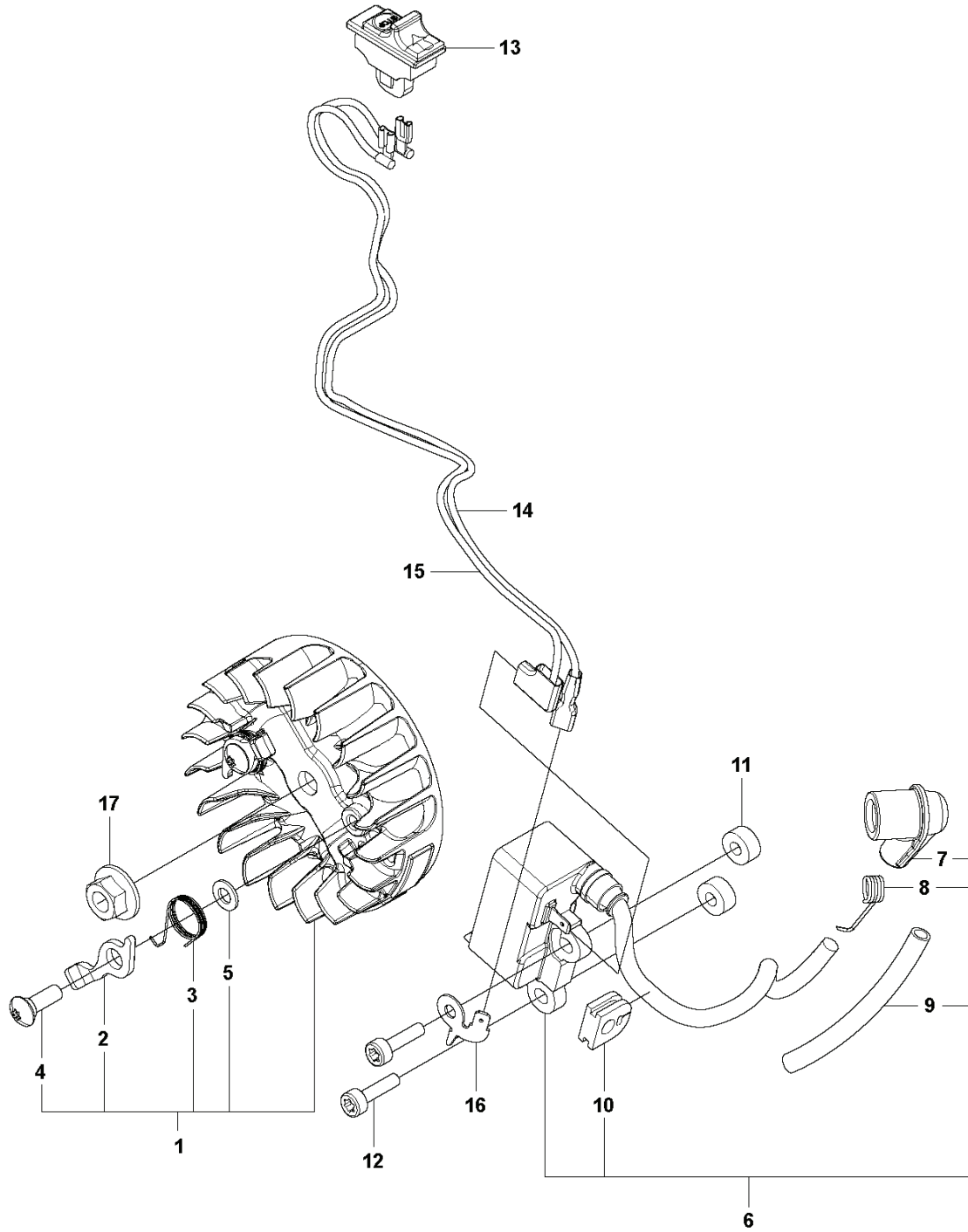
F T525
HOUSING



CHAIN SAWS

PXM_REF	PXM_PARTNO	DESCRIPTION	PXM_REMARK	QTY.
1	587871501	CARCASA COMPLETA	s/n up to 20182699999	1
1	587871505	CARCASA COMPLETA	From s/n 20182700001 and Use together with 58787 39-02 COVER for Up to s/n 20182699999	1
2	587872201	GUARDA DE SILENCIADOR	For EU, JP market	1
2	593726701	GUARDA DE SILENCIADOR	For US/CAN, AUS/NZ market	1
3	590266402	TORNILLO		1
4	516961901	RESPIRO		1
5	516948101	SELLO		1
6	577878603	TAPÓN DE DEPÓSITO COMPLETO		2
7	589241301	JUNTA		1
8	503578901	HOLDER		1
9	590266501	TORNILLO		4
10	587872601	CUBIERTA		1
11	587876502	TOMA DE AIRE		1
12	587873101	OJAL		1
13	587873201	SOPORTE		1
14	576984002	TORNILLO		1
15	587873301	PLACA GUÍA DE CADENA		1
16	521799901	PERNO		1
17	513558701	FIADOR		1
18	521518101	TORNILLO		1
19	501904301	TORNILLO SINFIN		1
20	513701401	TUERCA		1
21	501899401	ENGRANAJE		1
22	501903501	PIÑÓN		1
23	501905401	CUBIERTA		1
24	590361001	ARANDELA		1
25	576984002	TORNILLO		1
26	587874001	CUBIERTA	s/n up to 20182699999	1
26	587874002	CUBIERTA	s/n from 20182700001	1
27	576984002	TORNILLO		1
28	590154403	MANGUERA DE COMBUSTIBLE ENSAMBLADA	For EU, AUS/NZ, JP market	1
28	590154404	MANGUERA DE COMBUSTIBLE ENSAMBLADA	For US/CAN market	1
29	575960701	FILTRO		1
30	505044501	COLLARIN		1
31	597866301	RESPIRO		1
32	514201402	OJAL PARA CABLE		2
33	595526912	MANGUERA DE COMBUSTIBLE		1
34	516950301	ARTICULACIÓN		2
35	587860801	SOPORTE		1
36	590223901	JUNTA		1
37	590153601	DISCO AISLANTE		1
38	590153701	DISCO AISLANTE		1
39	590153801	DISCO AISLANTE		1
41	576381301	OJAL		1
42	522847901	TORNILLO ITXSCFM		1

H T525 IGNITION SYSTEM

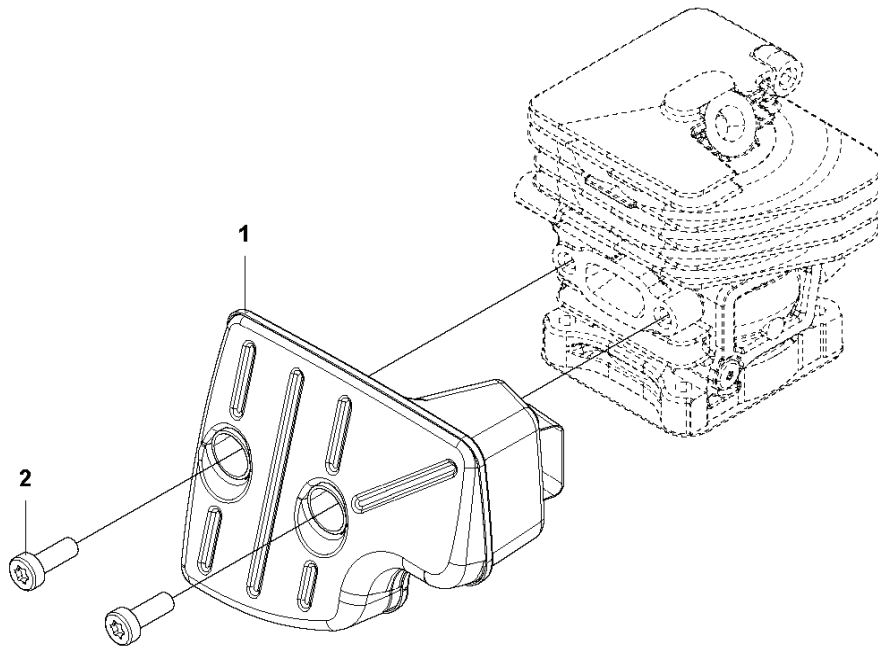


CHAIN SAWS

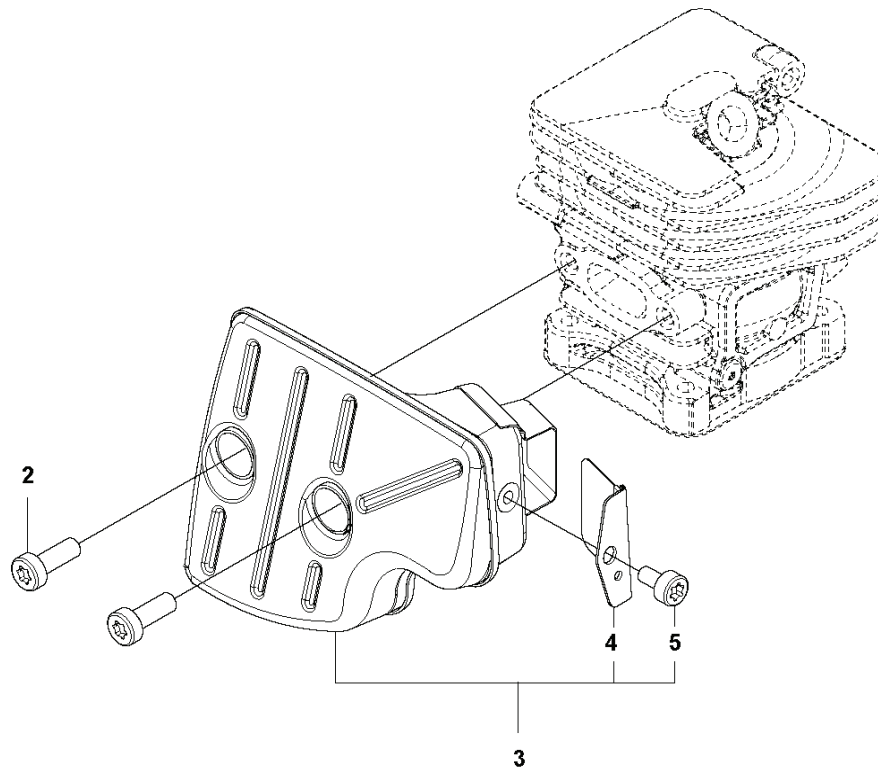
PXM_REF	PXM_PARTNO	DESCRIPTION	PXM_REMARK	QTY.
1	587874701	VOLANTE COMPLETO		1
2	521551701	GANCHO TRINQUETE		2 1
3	521551801	MUELLE		2 1
4	521516001	TORNILLO		2 1
5	506614401	ARANDELA		2 1
6	587874902	MÓDULO DE ENCENDIDO ENSAMBLADO		1
7	512444001	TAPACUBOS		1 6
8	513243301	MUELLE		1 6
9	590154501	TUBO		1 6
10	515415301	OJAL PARA CABLE		1 6
11	505043401	ARANDELA SEPARADORA		2
12	506745701	PERNO		2
13	522798201	INTERRUPTOR DE PARADA		1
14	587875401	CABLE DE CORTOCIRCUITO		1
15	587875301	CABLE DE CORTOCIRCUITO		1
16	588662701	TERMINAL		1
17	504118001	TUERCA		1

C T525
MUFFLER

For EU, JP market



For US/CAN, AUS/NZ market

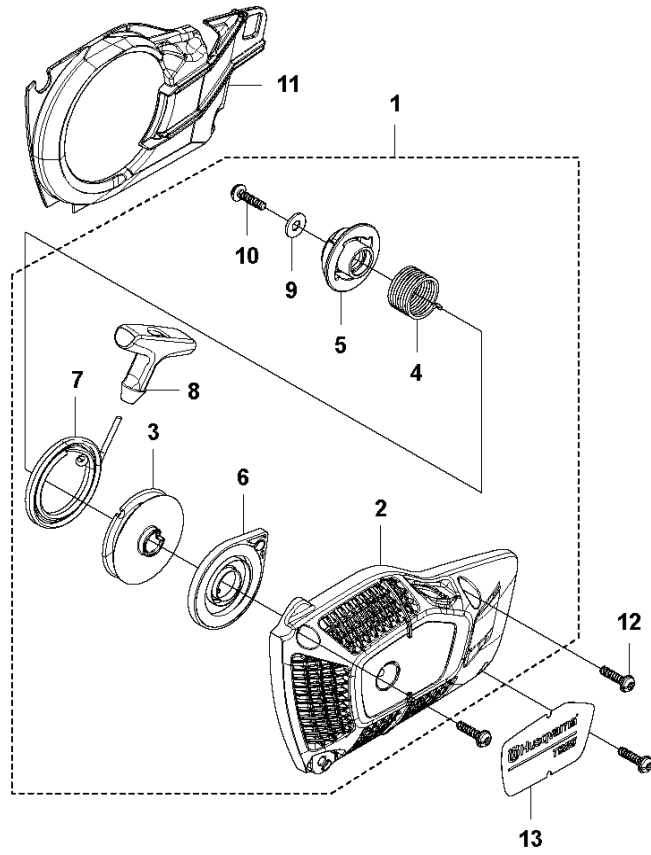


CHAIN SAWS

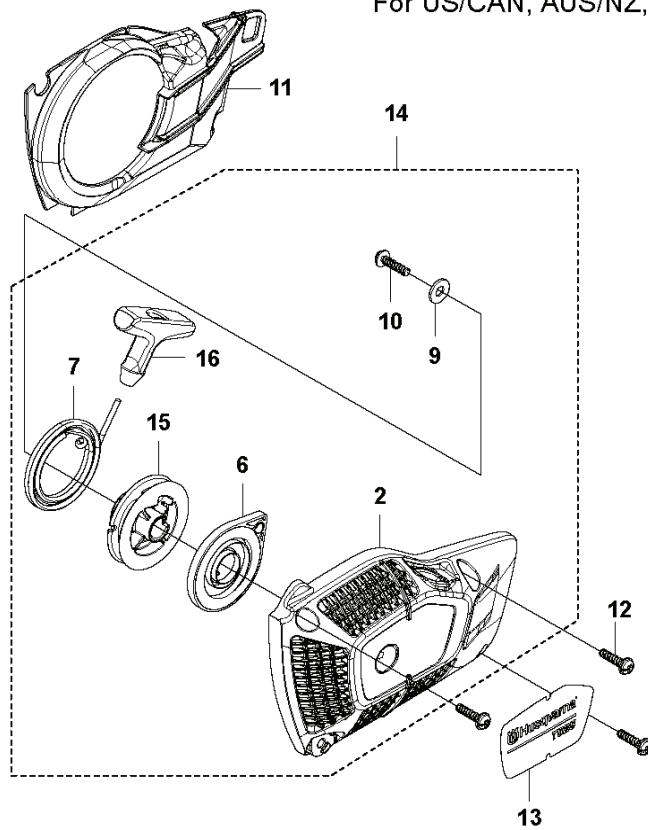
PXM_REF	PXM_PARTNO	DESCRIPTION	PXM_REMARK	QTY.
1	587869601	SILENCIADOR	For EU, JP market	1
2	521516201	PERNO		2
3	593333001	SILENCIADOR COMPLETO	For US/CAN market	1
4	593333401	REGILLA GUARDA CHISPAS	For US/CAN market	1 3
5	544362701	PERNO	For US/CAN market	1 3

**T525
STARTER**

For EU market



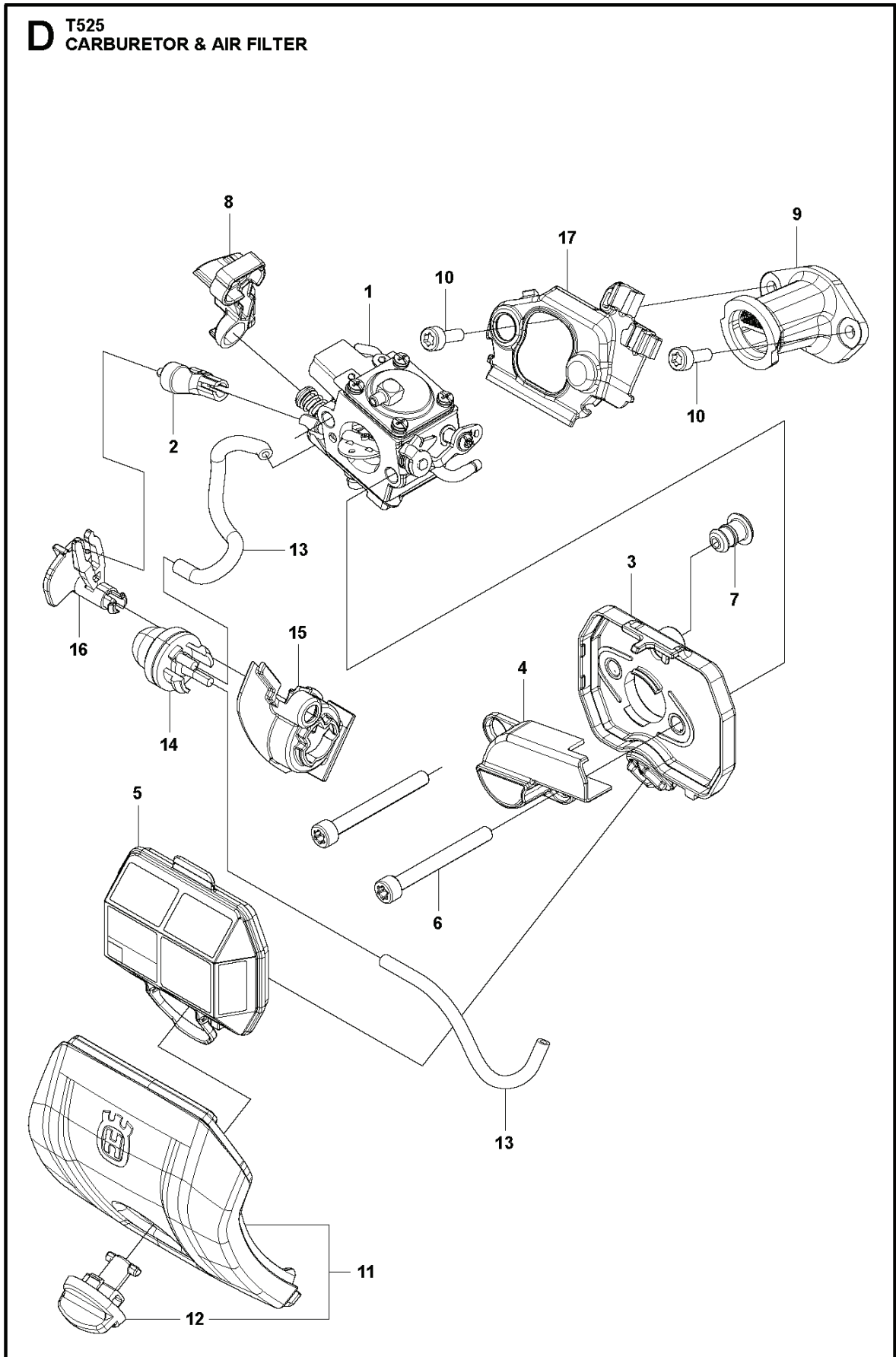
For US/CAN, AUS/NZ, EU, JP market



CHAIN SAWS

PXM_REF	PXM_PARTNO	DESCRIPTION	PXM_REMARK	QTY.	
1	587875501	MECANISMO DE ARRANQUE COMPL.	s/n up to 20202609488 For EU market	1	
2	587875601	CAJA DEL MECANISMO DE ARRANQUE	s/n up to 20202700809 for all market	1	
2	587875602	CAJA DEL MECANISMO DE ARRANQUE		1	1,14
3	587875801	POLEA DE ARRANQUE	s/n up to 20202609488 For EU market	1	1
4	587875901	MUELLE	s/n up to 20202609488 For EU market	1	1
5	587876001	PATAS VOLANTE	s/n up to 20202609488 For EU market	1	1
6	513734601	MUELLE		1	1,14
7	513417101	CUERDA		1	1,14
8	575489501	EMPUÑADURA DE ARRANQUE	s/n up to 20202609488 For EU market	1	1
9	505054401	ARANDELA		1	1,14
10	521518001	TORNILLO		1	1,14
11	587876401	CONDUCTOR DE AIRE		1	
12	521518101	TORNILLO		4	
13	593781701	ADHESIVO		1	
14	596914001	MECANISMO DE ARRANQUE COMPL.	s/n up to 20202700809 for US/CA, AU/NZ market	1	
14	596914002	MECANISMO DE ARRANQUE COMPL.	For US/CAN, AUS/NZ market, s/n from 20202700810 For EU, JP market	1	
15	593587101	POLEA DE ARRANQUE	For US/CAN, AUS/NZ market, s/n from 20202700810 For EU, JP market	1	14
16	593587302	EMPUÑADURA DE ARRANQUE	For US/CAN, AUS/NZ market, s/n from 20202700810 For EU, JP market	1	14

D T525
CARBURETOR & AIR FILTER



CHAIN SAWS

PXM_REF	PXM_PARTNO	DESCRIPTION	PXM_REMARK	QTY.
1	587870501	CARBURADOR		1
2	588662501	PALANCA DE ESTRANGULADOR		1
3	587870701	BASE DE FILTRO DE AIRE		1
4	589205001	PLACA		1
5	587871001	MITAD DE FILTRO DE AIRE		1
5	597176001	MITAD DE FILTRO DE AIRE	Non-woven	1
6	587870901	PERNO		2
7	521625602	OJAL PARA CABLE		1
8	587871401	OJAL PARA CABLE		1
9	587871101	TUBO DE ADMISIÓN		1
10	521515701	PERNO		2
11	587879601	CUBIERTA DE FILTRO DE AIRE		1
12	585697402	BOTÓN		1
13	595526903	MANGUERA DE COMBUSTIBLE		2
14	513789301	BOMBA		1
15	587880101	SOPORTE		1
16	587870601	MANDO DE ESTRANGULADOR		1
17	587879901	CUBIERTA		1