

SPARE PARTS CATALOGUE

**LAWN MOWERS: CONSUMER WALK-BEHINDS: HUSQVARNA LC
353IVX**

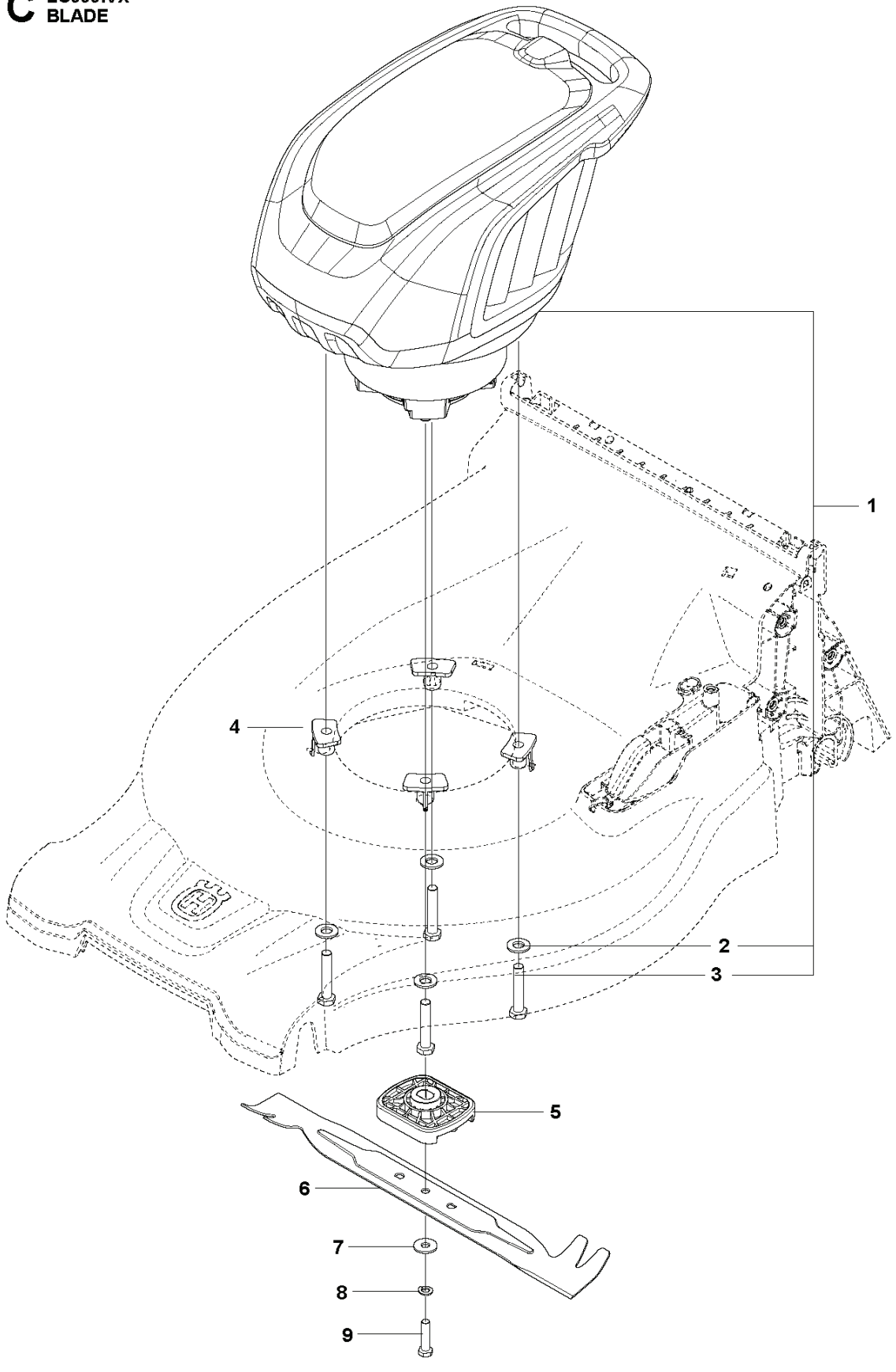
Spare Parts List

SPARE PARTS LIST

LAWN MOWERS: CONSUMER WALK-
BEHINDS

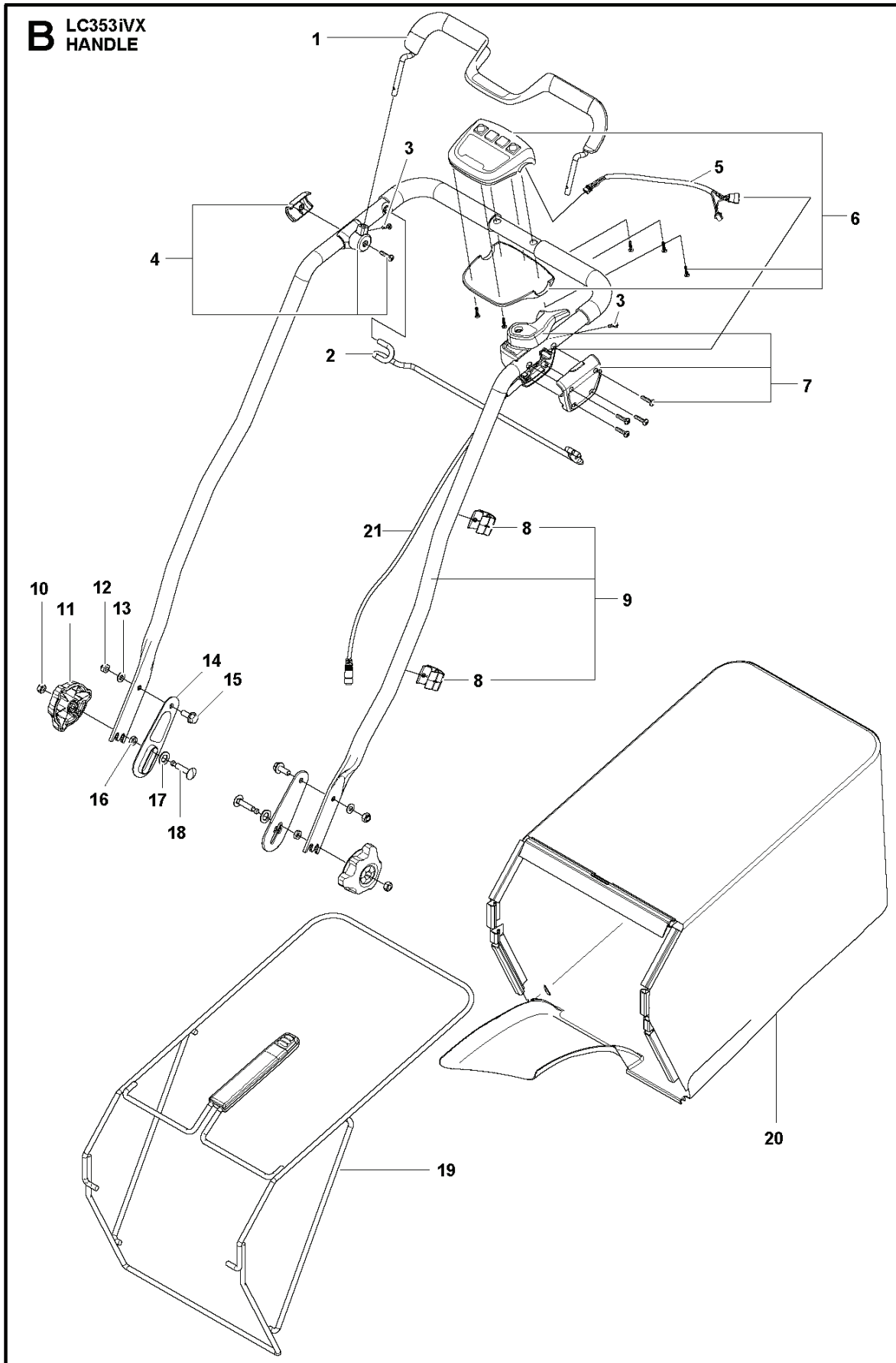
HUSQVARNA LC 353IVX

C LC353iVX
BLADE



LAWN MOWERS: CONSUMER WALK-BEHINDS

PXM_REF	PXM_PARTNO	DESCRIPTION	PXM_REMARK	QTY.	
1	590531404	UNIDAD PROPULSORA	Powerhead Unit	1	
2	504466801	ARANDELA	10.5x22x2 BRB ZPB	4	1
3	725250271	TORNILLO EHHM	M10x55 8.8 ZPB.ISO 4017	4	1
4	578295101	MANGUITO	For engine screws, Plastic chassis	4	
5	596602201	SOPORTE DE CUCHILLA	Transmission system	1	
6	594075710	CUCHILLA		1	
7	734116441	ARANDELA	SRKB 8.4/25X2	1	
8	579684201	ARANDELA ELÁSTICA		1	
9	725245571	TORNILLO EHHM	M8x30 8.8 ZPB	1	



LAWN MOWERS: CONSUMER WALK-BEHINDS

PXM_REF	PXM_PARTNO	DESCRIPTION	PXM_REMARK	QTY.
1	596253601	FARDO	Handle assy, OPC bail kit	1
2	587101802	FARDO	Drive bail	1
3	593198701	TORNILLO DE ARRASTRE		2
4	593118701	SUPPORT ASSY	Bail support assembly	1
5	593198601	CABLE EXTENSIÓN	Control panel assy cable	1
6	596253002	TARJETA DE CIRCUITOS	Control board, Drive	1
7	593118001	SWITCHBOX ASSY	Push	1
8	591086401	SOPORTE DE CABLES	Handle mounted clip	2 9
9	596280301	EMPUÑADURA COMPLETA	Handle assy	1
10	731231801	TUERCA HEXAGONAL	M8 8 ZPB,ISO 4032	2
11	587237201	BOTÓN	handle	2
12	732211801	LOCK NUT	M8-8	2
13	734182051	ARANDELA	8x16x1.5 St ZPB,Type NB	2
14	587780401	ARANDELA	Washer handle/ handlesupport	2
15	506570104	TORNILLO EHHFM	M8x20 8.8 ZPB,EHHFM	2
16	731431801	TUERCA FINA	M8 St 04 ZPB,ISO 4035	2
17	588157401	ARANDELA	Nylon Washer	2
18	588157302	PERNO	Esloc,Carriage Bolt M8	2
19	501716001	BASTIDOR DE BOLSA	Bag frame	1
20	501856601	GRASSBAG	Grassbag	1
21	597688701	CABLE		1

LAWN MOWERS: CONSUMER WALK-BEHINDS

PXM_REF	PXM_PARTNO	DESCRIPTION	PXM_REMARK	QTY.
1	593124301	LID ASSY	Powerhead lid and hinge	1
2	593124501	CAJA DE BATERÍA	Battery pocket. Local - 90000309801	1
2	593124502	CAJA DE BATERÍA	Battery pocket. Tyco - 90000314701	1 7
3	593133602	PLETINA DE CONTACTO	Battery control plate	1
4	593132702	DISPOSITIVO DE CONTROL	Motor control box	1
5	593783802	MOTOR	Brushless motor 900W	1
6	593203901	CUBIERTA DEL MOTOR COMPLETA	Power unit cover	1
7	501490101	TECLA	battery pocket key	1 2
8	593755501	TORNILLO	Engine hood screws	16
9	593722801	CABLE	handle	1
10	593722601	CABLE	transmission	1
	579686901	LLAVE DE INTERRUPTOR	NOT SHOWN	1

LAWN MOWERS: CONSUMER WALK-BEHINDS

PXM_REF	PXM_PARTNO	DESCRIPTION	PXM_REMARK	QTY.
1	587203701	MITAD DE CUBIERTA	Husqvarna, Suspension - Left - Height adjustment	1
2	587203801	MITAD DE CUBIERTA	Husqvarna, Suspension - Right - Height adjustment	1
3	587687001	EJE	Suspension	2
4	735311220	ARANDELA PRISIONERO	7x0.9 St PPSHAFTS	2
5	588827801	BARRA	Suspension 190/230	1
6	587212302	SOPORTE DE EMPUÑADURA	right	1
7	501716102	RAYADO	Rear door 53cm, Powerhead	1
8	588827701	MUELLE	53 cm,Balance - Suspension	1
9	587095402	CUBIERTA	Service door	1
10	587212102	SOPORTE DE EMPUÑADURA	left	1
11	578175802	TORNILLO ITXPANT	8x24, TBO, For Thermoplastics	7
12	501704801	BASTIDOR	Husqvarna, 53 cm	1
13	586984602	EJE	Hatch rear door	1
14	589597601	MUELLE	HA Button	1
15	587697401	BOTÓN	ASSY - Suspension - Height adjustment	1
16	587072501	SOPORTE	Rear idler 210	1
17	588749601	RUEDA ENSAMBLADA	Husqvarna, With Sleeve, 230, Drive	2
18	588749701	RUEDA ENSAMBLADA	Husqvarna, With Sleeve, 190, Idler	2
19	587990901	TUERCA	Lock, M12x10	4
20	584159401	SOMBRERETE DE TUERCA	Nut cap	4
21	587072603	EJE DE RUEDA	Rear 53 cm,Suspension	1
22	587072401	SOPORTE	Front idler 170	2
24	587072604	EJE DE RUEDA	Front 47 cm, Suspension	1
25	501910301	PLACA DESLIZANTE	Husqvarna, Front	1
26	502435301	TORNILLO ITXPANT	T50x16 Zn/Fe (A009)	15
27	579317401	CORREA	FIR TREE 170x5	1
28	577092801	ARANDELA	12/22/2 FZB ISO7089	1
29	579682802	TUBO	Rubber	2
30	501861001	BUSHING	ASSY	1
31	589639801	PROTECCIÓN POLVO	Dust cover, 230	2
32	735311401	RESORTE CIRCULAR	12x1 st ZPB, SGA	2
33	544342301	PIÑÓN	Full Width, PM, 11 T, 21.25mm Root Diam	1
34	594728801	TRANSMISIÓN	Assy	1
35	502435301	TORNILLO ITXPANT	T50x16 Zn/Fe (A009)	2
36	587101501	MUELLE	hatch	1
38	595001101	MULCH KIT	Mulch plug and combi blade kit	1
39	588752001	TAPACUBOS	230 Husqvarna	2
40	588752101	TAPACUBOS	190 Husqvarna	2
41	501715501	CUBIERTA DE CORREA	Belt cover 53 cm	1
42	578295101	MANGUITO	For engine screws, Plastic chassis	4
43	582022801	PLACA DE REFUERZO	Chassis 53 cm	2
44	594099001	CUBIERTA	53cm electric	1
45	595007210	CUCHILLA		1
46	734116441	ARANDELA	SRKB 8.4/25X2	1
47	579684201	ARANDELA ELÁSTICA		1
48	725245571	TORNILLO EHHM	M8x30 8.8 ZPB	1