

## **SPARE PARTS CATALOGUE**

**LAWN MOWERS: CONSUMER WALK-BEHINDS: HUSQVARNA LC  
347IVX SIN BATERÍA NI CARGADOR**

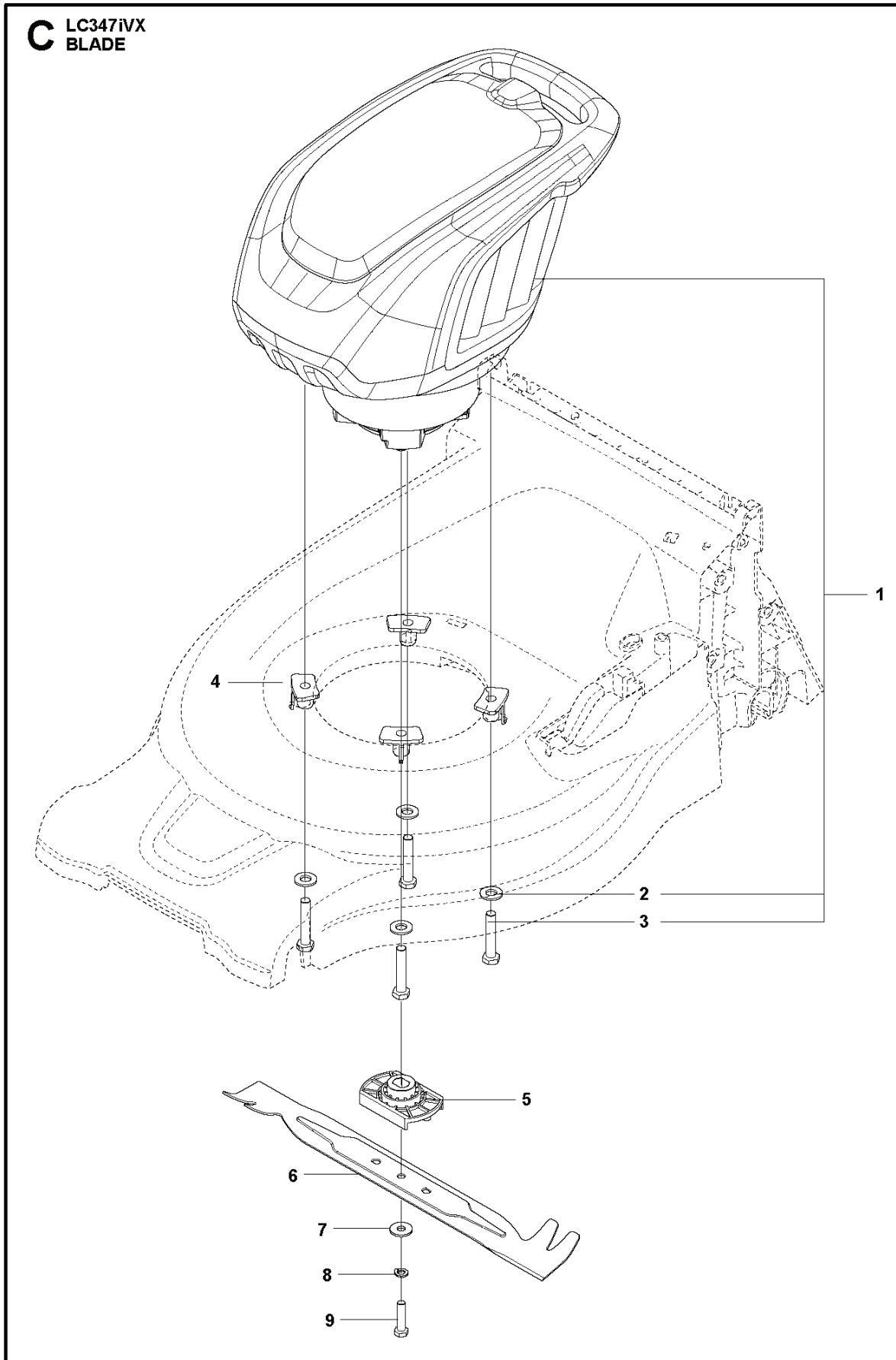
Spare Parts List

# **SPARE PARTS LIST**

LAWN MOWERS: CONSUMER WALK-  
BEHINDS

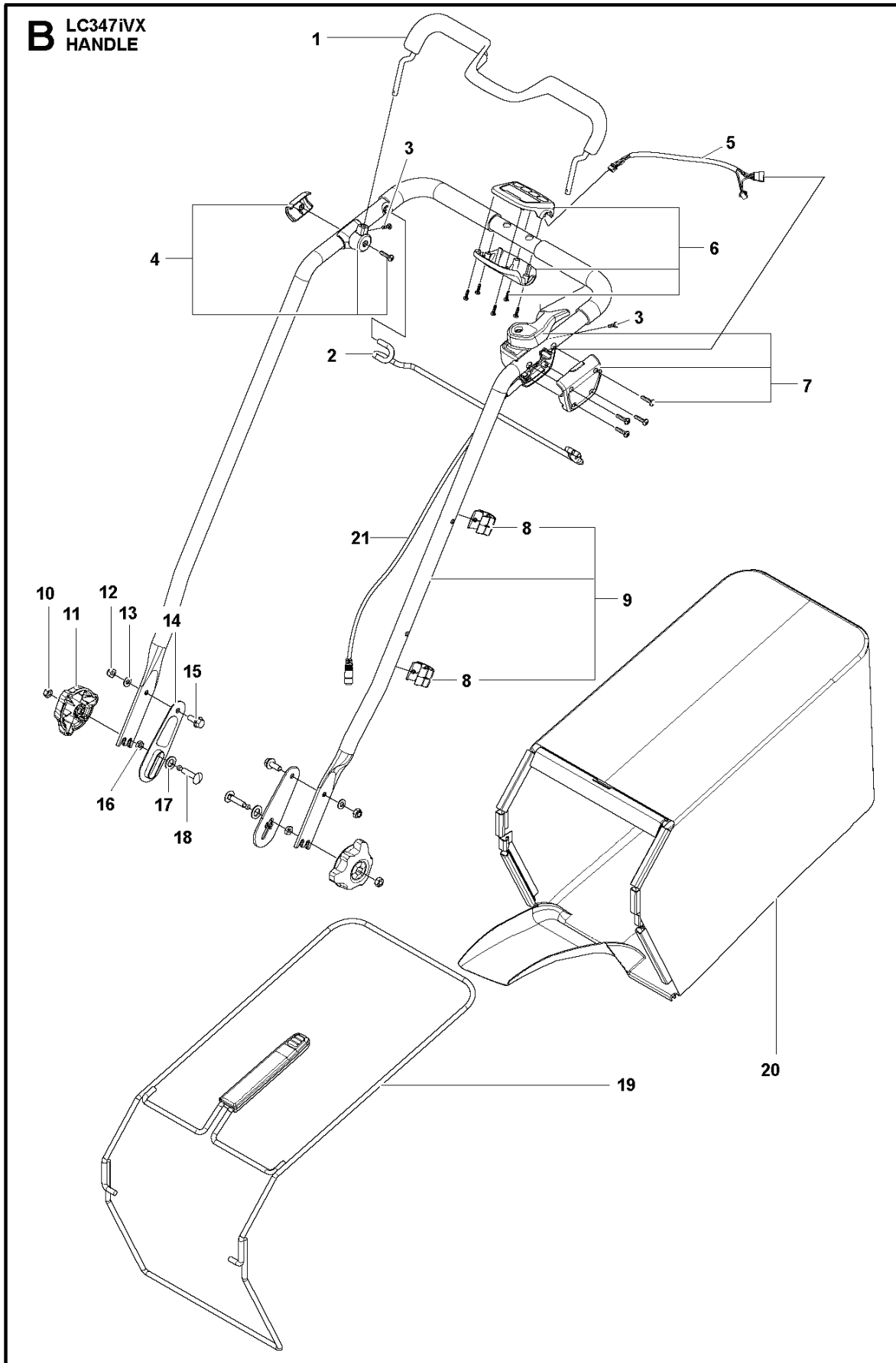
HUSQVARNA LC 347IVX SIN BATERÍA NI  
CARGADOR

**C** LC347iVX  
BLADE



## LAWN MOWERS: CONSUMER WALK-BEHINDS

PXM_REF	PXM_PARTNO	DESCRIPTION	PXM_REMARK	QTY.	
1	590531402	UNIDAD PROPULSORA	Powerhead Unit	1	
2	504466801	ARANDELA	10.5x22x2 BRB ZPB	4	1
3	725250271	TORNILLO EHHM	M10x55 8.8 ZPB.ISO 4017	4	1
4	578295101	MANGUITO	For engine screws, Plastic chassis	4	
5	591084301	SOPORTE DE CUCHILLA	Transmission system	1	
6	590593410	CUCHILLA	47cm	1	
7	734116441	ARANDELA	SRKB 8.4/25X2	1	
8	579684201	ARANDELA ELÁSTICA		1	
9	725245571	TORNILLO EHHM	M8x30 8.8 ZPB	1	



## LAWN MOWERS: CONSUMER WALK-BEHINDS

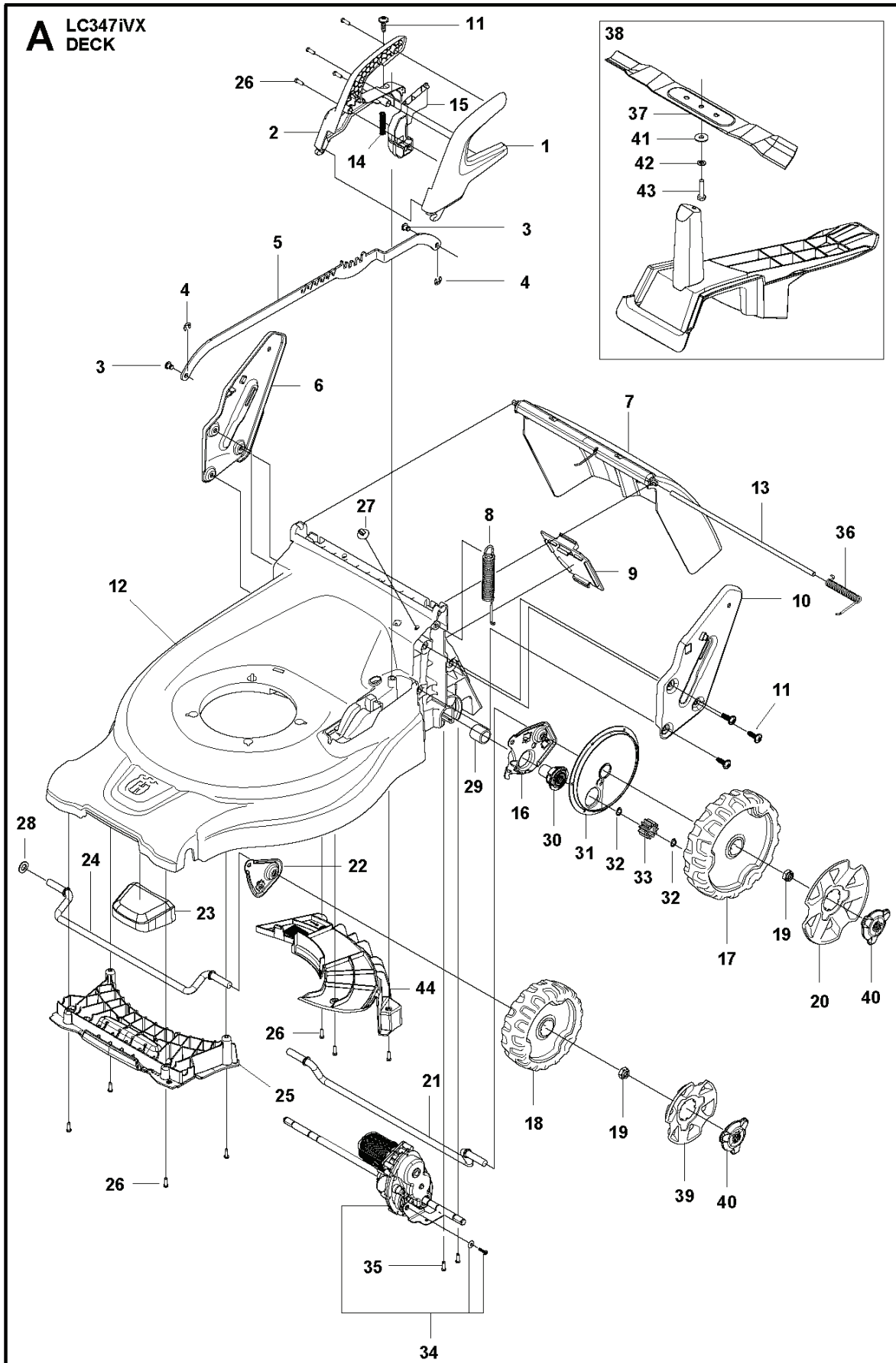
PXM_REF	PXM_PARTNO	DESCRIPTION	PXM_REMARK	QTY.
1	596253601	FARDO	OPC Bail	1
2	587101802	FARDO	Drive bail	1
3	593198701	TORNILLO DE ARRASTRE	M4 bail screw	2
4	593118701	SUPPORT ASSY	Bail support assembly	1
5	593198601	CABLE EXTENSIÓN	Control panel assy cable	1
6	596253002	TARJETA DE CIRCUITOS	Drive	1
7	593118001	SWITCHBOX ASSY	Drive	1
8	591086401	SOPORTE DE CABLES	Handle mounted clip	2 9
9	593119702	EMPUÑADURA COMPLETA	Upper	1
10	731231801	TUERCA HEXAGONAL	M8 8 ZPB,ISO 4032	2
11	587237201	BOTÓN	Knob assy	2
12	732211801	LOCK NUT	M8-8	2
13	734182051	ARANDELA	8x16x1.5 St ZPB,Type NB	2
14	587780401	ARANDELA	Washer handle/ handlesupport	2
15	506570104	TORNILLO EHHFM	M8x20 8.8 ZPB,EHHFM	2
16	731431801	TUERCA FINA	M8 St 04 ZPB,ISO 4035	2
17	588157401	ARANDELA	Nylon Washer	2
18	588157302	PERNO	Esloc,Carriage Bolt M8	2
19	587182001	BASTIDOR	Grassbag	1
20	587292301	GRASSBAG	Husqvarna, Fabric assembly	1
21	597688701	CABLE		1



## LAWN MOWERS: CONSUMER WALK-BEHINDS

PXM_REF	PXM_PARTNO	DESCRIPTION	PXM_REMARK	QTY.
1	593124301	LID ASSY	Powerhead lid and hinge	1
2	593124501	CAJA DE BATERÍA	Battery pocket. Local - 90000309801	1 7
2	593124504	CAJA DE BATERÍA	Battery pocket. Tyco - 2900200324.	1
3	593133601	PLETINA DE CONTACTO	Battery control plate. Local - 2108200011A.	1
3	593133603	PLETINA DE CONTACTO	Use in models after S/N 20191900001. Tyco - 2108900172A.	1
4	593132701	DISPOSITIVO DE CONTROL	Motor control box. Local - 2108200009A.	1
4	593132703	DISPOSITIVO DE CONTROL	Use in models after S/N 20191900001. Tyco - 2106300272A.	1
5	592749301	MOTOR	Brushless motor 750W. Local - 2102200005A.	1
5	592749302	MOTOR	Use in models after S/N 20191900001. Tyco - 2102300183A.	1
6	593203901	CUBIERTA DEL MOTOR COMPLETA	Power unit cover	1
7	501490101	TECLA	battery pocket key	1 2
8	593755501	TORNILLO	Engine hood screws	16
9	593722801	CABLE	handle	1
10	593722601	CABLE	transmission	1
	579686901	LLAVE DE INTERRUPTOR	NOT SHOWN	1





## LAWN MOWERS: CONSUMER WALK-BEHINDS

PXM_REF	PXM_PARTNO	DESCRIPTION	PXM_REMARK	QTY.
1	587203701	MITAD DE CUBIERTA	Husqvarna,Suspension - Left - Height adjustment	1
2	587203801	MITAD DE CUBIERTA	Husqvarna,Suspension - Right - Height adjustment	1
3	587687001	EJE	Suspension	2
4	735311220	ARANDELA PRISIONERO	7x0.9 St PPSHAFTS	2
5	587160801	BARRA	Suspension 170/210	1
6	587212302	SOPORTE DE EMPUÑADURA	right	1
7	590594001	RAYADO	HVA, rear discharge	1
8	587674401	MUELLE	47 cm,Balance - Suspension	1
9	587095402	CUBIERTA	Service door	1
10	587212102	SOPORTE DE EMPUÑADURA	left	1
11	578175802	TORNILLO ITXPANT	8x24, TBO,For Thermoplastics	7
12	587151005	BASTIDOR	Husqvarna,47 cm	1
13	586984601	EJE		1
14	589597601	MUELLE	HA Button	1
15	587697401	BOTÓN	ASSY - Suspension - Height adjustment	1
16	587072501	SOPORTE	Rear idler 210	1
17	582305701	RUEDA ENSAMBLADA	Husqvarna, With Sleeve,210, idle, medium	2
18	587631501	RUEDA ENSAMBLADA	Husqvarna,170, Idler	2
19	587990901	TUERCA	Lock, M12x10	4
20	584159301	TAPACUBOS	Wheel Ø210mm	2
21	587072601	EJE DE RUEDA	Rear 47 cm,Suspension	1
22	587072401	SOPORTE	Front idler 170	2
24	587072602	EJE DE RUEDA	Front 47 cm,Suspension	1
25	588202701	PLACA DESLIZANTE	Husqvarna,Front	1
26	502435301	TORNILLO ITXPANT	T50x16 Zn/Fe (A009)	4
27	579317401	CORREA	FIR TREE 170x5	1
28	577092801	ARANDELA	12/22/2 FZB ISO7089	1
29	579682802	TUBO	Rubber	2
30	501861001	BUSHING	ASSY	1
31	587204002	PROTECCIÓN POLVO	Drive 210	2
32	735311401	RESORTE CIRCULAR	12x1 st ZPB,SGA	2
33	544342301	PIÑÓN	Full Width,PM, 11 T, 21.25mm Root Diam	1
34	590679001	TRANSMISIÓN	Assy	1
35	502435301	TORNILLO ITXPANT	T50x16 Zn/Fe (A009)	2
36	587101501	MUELLE	hatch	1
37	590701010	CUCHILLA	47cm	1
38	590790901	MULCH KIT	Mulch plug and combi blade kit	1
39	587632701	TAPACUBOS	Ø170 Husqvarna	2
40	584159401	SOMBRERETE DE TUERCA	Nut Cap	4
41	734116441	ARANDELA	SRKB 8.4/25X2	1
42	579684201	ARANDELA ELÁSTICA		1
43	725245571	TORNILLO EHHM	M8x30 8.8 ZPB	1
44	590800401	CUBIERTA DE CORREA	Belt cover	1